

# STAINLESS STEEL DROP CLAMP FOR FLAT FO DROP CABLE (ODWAC)

## Description

The drop wire clamp ODWAC is composed of a body, a wedge and a shim. A solid wire bail is crimped to the wedge. All parts are made out of stainless steel.



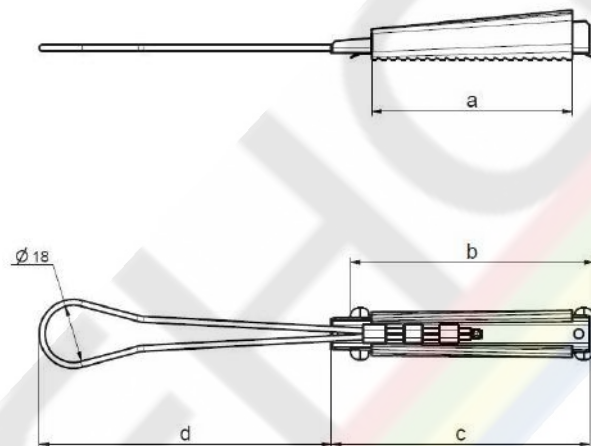
## Benefits

Its design allows a direct dead-ending without bend on the drop cable. Two sizes (ODWAC and ODWAC XL) to cover a large range of flat drop cables.

## Installation

- Place the cable in the clamp body
- Place the shim in the clamp body over the cable, the grip side in contact with the cable
- Insert the wedge through the front of the body and pull to secure the cable

## Dimensions (mm)



Reference	a	b	c	d
ODWAC	70	90	90	110
ODWAC XL	86	105	100	125

## Characteristics

Reference	Capacity	Material	Resistan	Weight
ODWAC	9x4 mm flat drop cable	Stainless steel	100 daN	0.03 kg
ODWAC XL	15x6 mm flat drop cable	Stainless steel	150 daN	0.08 kg